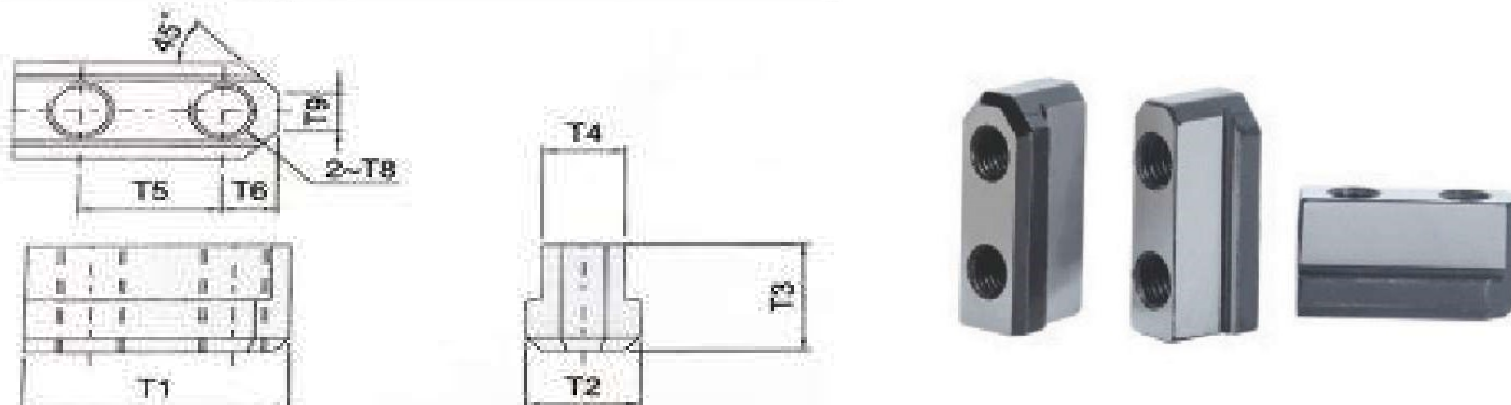


T型螺帽

尺寸图 Dimensions



规格表 Specification

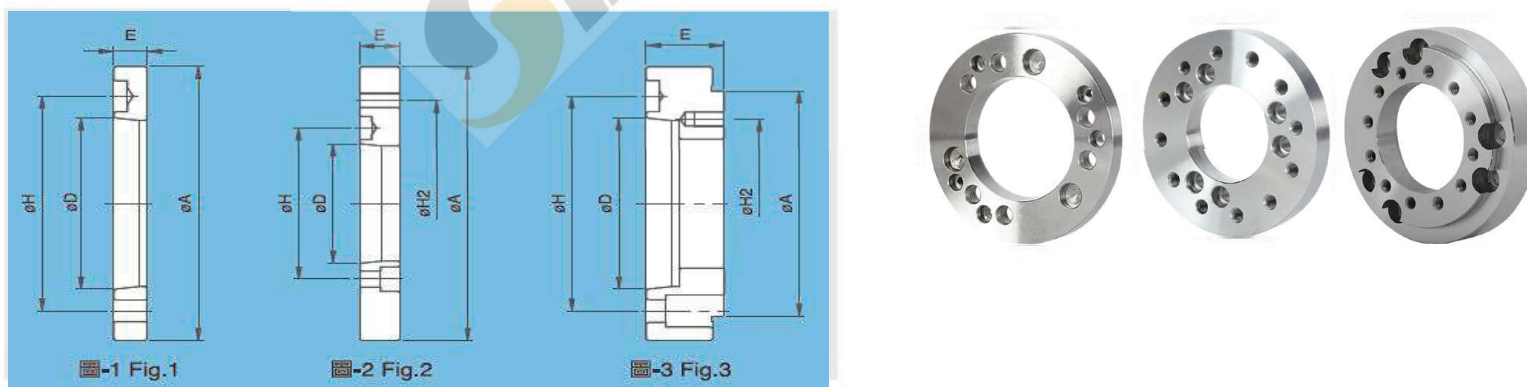
单位/UNT:mm

型号 Model	T-1	T-2	T-3	T-4	T-5	T-6	T-7	T-8	T-9	Fig
TN04	24.5	11.5	13.5	8	15	4.5	9	M6	5	1
TNK05	26	15	15	10	14	6	9.5	M8	5	1
TNS05	28	15	18	10	14	7	12.5	M8	5	1
TNK06	36	17.5	18.5	12	20	8.25	11	M10	8	1
TNS06	36.5	17.5	22.5	12	20	7.5	15	M10	6	1
TNK08	46.5	20.5	20.5	14	25	10.5	12	M12	12	1
TNS08	48	20.5	25.5	14	25	11	16	M12	8	1
TNK10	51	22.5	21.5	16	30	11	13	M12	11	1
TNS10	55	22.5	25.5	16	30	11	16	M12	18	1
TNK12	55.5	29.5	27.75	21	30	12	16.25	M16	13	1
TNS12	55.5	29.5	33.5	18	30	11.5	20	M14	12	1

TO CONNECTION PLATE

连接盘

尺寸图 Dimensions



型号 Model	D	A	H	H2	E	参考图 Reference Drawing
T005A ₂ 4	63.513	110	82.6	-	15	图-1 Fig.1
T006A ₂ 5	82.563	140	104.8	-	15	图-1 Fig.1
T008A ₂ 6	106.375	170	133.4	-	17	图-1 Fig.1
T010A ₂ 8	139.719	220	171.4	-	18	图-1 Fig.1
T012A ₂ 8	139.719	220	171.4	-	18	图-1 Fig.1
T004A ₂ 4	63.513	85	82.6	70.6	30	图-3 Fig.3
T005A ₂ 5	82.563	110	104.8	82.6	35	图-3 Fig.3
T006A ₂ 4	63.513	140	82.6	104.8	20	图-2 Fig.2
T006A ₂ 6	106.375	140	133.4	104.8	40	图-3 Fig.3
T008A ₂ 5	82.563	170	104.8	133.4	25	图-2 Fig.2
T08A ₂ 8	139.719	170	171.4	133.4	45	图-3 Fig.3
T010A ₂ 6	106.375	220	133.4	171.4	25	图-2 Fig.2
T012A ₂ 6	106.375	220	133.4	171.4	25	图-2 Fig.2