

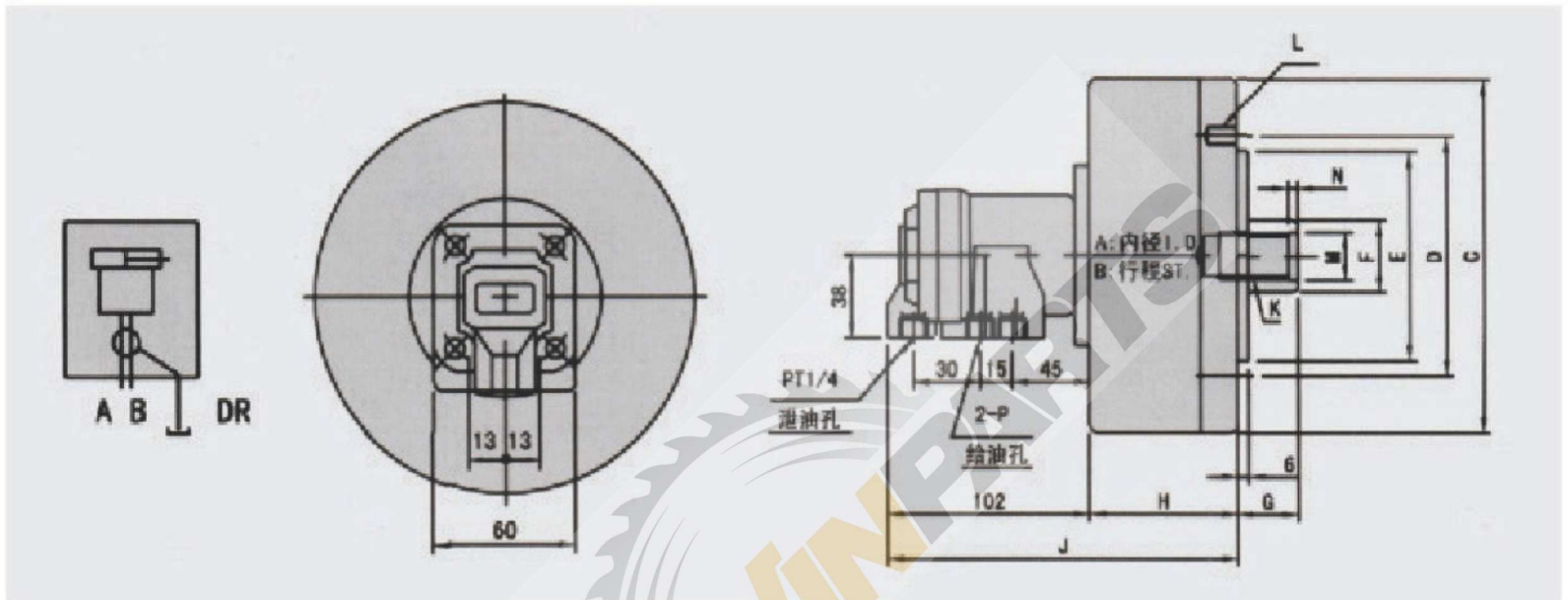
RH 中实回转油缸

SOLID ROTARY HYDRAULIC CYLINDER

- 采用特殊轻合金制造而成，重量轻。
- 经特殊设计，使得内部轴承能充分的润滑及冷却，而能耐高速回转，增长寿命。
- Made of special light alloy, light-weight.
Through unique design, enable the inside bearing to get sufficient lubricating and cooling and endure high-speed rotary for longer service life.



尺寸图 Dimensions



规格表 Specification

单位/UNT:mm

型号 Model	活塞面积(cm ²) Piston area (cm ²)		行程 Stroke (mm)	最高回转速 min(r.p.m) Highest turnover number	最高使用压力 MPa(kg/cm ²) Maximum working pressure	GD ² Kg.m ²	净重 Weight (kg)
	推侧Push the side	拉侧Pull side					
RH-65	31.0	27.9	15	6000	3.5 (35)	0.01	2.9
RH-80	47.7	42.8	15	6000	3.5 (35)	0.01	3.4
RH-100	75.4	70.5	20	5500	3.5 (35)	0.04	4.9
RH-125	119.6	112.5	25	5500	3.5 (35)	0.08	6.8
RH-150	173.6	157.7	30	4000	4.0 (40)	0.18	11.5
RH-200	310.0	286.3	35	4000	4.0 (40)	0.38	20.4

型号 Model	A	B	C	D	E (h7)	F	G (max)	G (min)	H	J	K	L	M (h8)	N	2-P
RH-65	65	15	98	80	60	22	45	30	74	175	M12×1.75	6-M8×16	-	-	PT3/8
RH-80	80	15	112	90	65	25	45	30	74	175	M16×2	6-M8×16	-	-	PT3/8
RH-100	100	20	135	100	80	30	45	25	89	190	M20×2.5	6-M10×20	-	-	PT3/8
RH-125	125	25	160	130	110	36	50	25	96	197	M24×3	6-M12×20	-	-	PT3/8
RH-150	150	30	190	130	110	45	55	25	105	206	M30×3.5	12-M12×24	31	5	PT3/8
RH-200	200	35	245	145	120	55	70	35	130	231	M36×4	12-M12×24	37	5	PT3/8